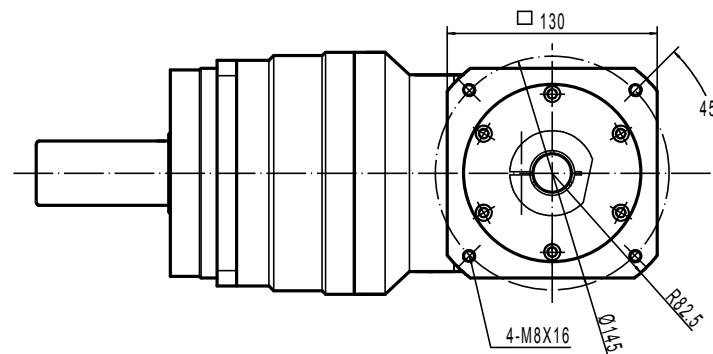


Output



Gearbox technical data	
Transmission ratio	1:35~1:100
Input speed	2000 rpm
Max speed	4000 rpm
Nominal output torque	240~360 N · m
Max output torque	2 × Nominal output torque
Max radial load	11000 N
Max axial load	9800 N
Backlash	≤ 8' arcminute
Lifetime	20000 h
Temperature	-15℃ ~ 45℃
Protection class	IP 65

RECKON	VERSION	GENERAL TOLERANCE		FINISHING	FORMAT A2	WEIGHT
	A000	DATE	SIGNATURE	NOTE	DESIGNATION	
DESIGNER	2016.7.16	WANG QIAN	X-TREME-DIMENSION PLAN			
CHECKED BY	11072015	POUJET.G	MATERIAL	NUMBER PLAN		
				X-TREME-RA-140-(035~100)-P3		
				SCALE	2:5	PAGE 1/1

