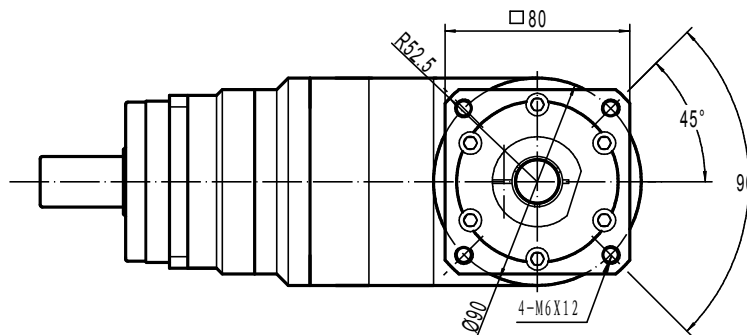
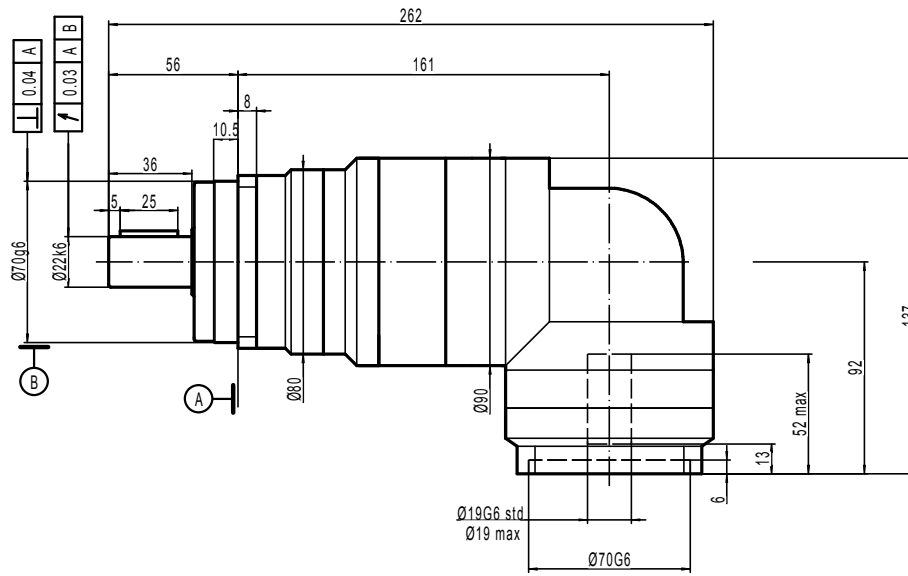


Output



Gearbox technical data	
Transmission ratio	1:12~1:25
Input speed	3000 rpm
Max speed	6000 rpm
Nominal output torque	50~75 N · m
Max output torque	2.5×Nominal output torque
Max radial load	4000 N
Max axial load	3500 N
Backlash	≤ 8' arcminute
Lifetime	20000 h
Temperature	-15℃ ~ 45℃
Protection class	IP 65

RECKON	VERSION	GENERAL TOLERANCE		FINISHING	FORMAT A2	WEIGHT	
	A000	DATE	SIGNATURE	NOTE	DESIGNATION		
DESIGNER	2016.07.16	WANG QIAN		X-TREME-DIMENSION PLAN			
CHECKED BY	2015.07.11	POUJET.G	MATERIAL	NUMBER PLAN			
				X-TREME-RA-075-(012~025)-P3			
				SCALE	2:3	PAGE	1/1

