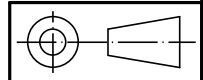
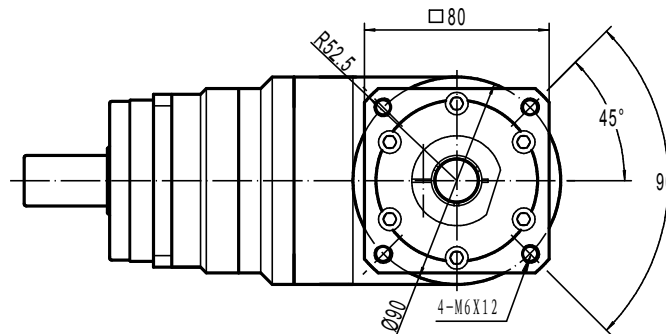
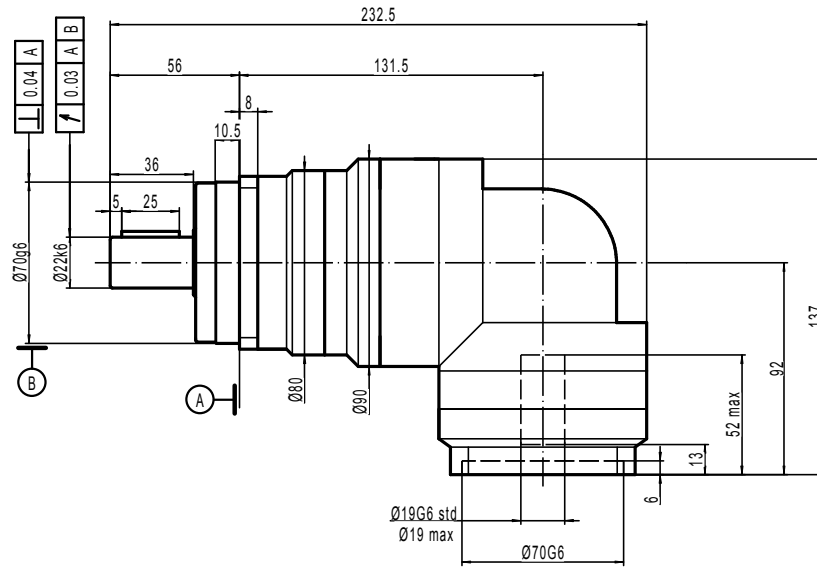


Output



	VERSION	GENERAL TOLERANCE		FINISHING	FORMAT A2	WEIGHT	
	A000	DATE	SIGNATURE	NOTE	DESIGNATION		
DESIGNER	2016.07.16	WANG QIAN	X-TREME-DIMENSION PLAN				
CHECKED BY	2015.07.11	POUJET.G	MATERIAL	NUMBER PLAN			
				X-TREME-RA-075-(003~010)-P3			
				SCALE	2:3	PAGE	1/1